



## Technical Support Sheet

# Euromag Ordering Guide

### Electromagnetic Flow Meter

*Note: Euromag flow meters are stocked and supplied from Hynds Smarterwater® and not Hygrade*

*Hynds Smarterwater® is an HPS branch so please place your DO on HSA/630 for supply.*

- Stock mags are suitable for water, wastewater and raw water.
- Flanged AS4087 (table D) PN16.
- 12vdc power with no battery
- Other specifications are available on request to Smarterwater. (HSA/630)

#### Standard Stock. Flow meter with electronics attached:

#### Codes

|                        |   |
|------------------------|---|
| <b>MFMDN25MC406BF</b>  | DN25 2200 PTFE MC406 Cm Battery capable Full bore |
| <b>MFMDN50MC406BF</b>  | DN50 2200 PTFE MC406 Cm Battery capable Full bore |
| <b>MFMDN65MC406BF</b>  | DN65 2200 MC406 Cm Battery capable Full bore      |
| <b>MFMDN80MC406BF</b>  | DN80 2200 MC406 Cm Battery capable Full bore      |
| <b>MFMDN100MC406BF</b> | DN100 2200 MC406 Cm Battery capable Full bore     |
| <b>MFMDN150MC406BF</b> | DN150 2200 MC406 Cm Battery capable Full bore     |
| <b>MFMDN200MC406BF</b> | DN200 2200 MC406 Cm Battery capable Full bore     |
| <b>MFMDN250MC406BF</b> | DN250 2200 MC406 Cm Battery capable Full bore     |
| <b>MFMDN300MC406BF</b> | DN300 2200 MC406 Cm Battery capable Full bore     |

#### For each meter that needs to be battery Powered. Please add the battery code

|                   |                                |
|-------------------|--------------------------------|
| <b>MFMBAMC406</b> | Mag Flow Battery MC406 10 Year |
|-------------------|--------------------------------|



FIG. 1 The horizontal display is standard



FIG. 2 The vertical display is an option requested from Smarterwater

If mounted on plastic pipe, it will need grounding rings.

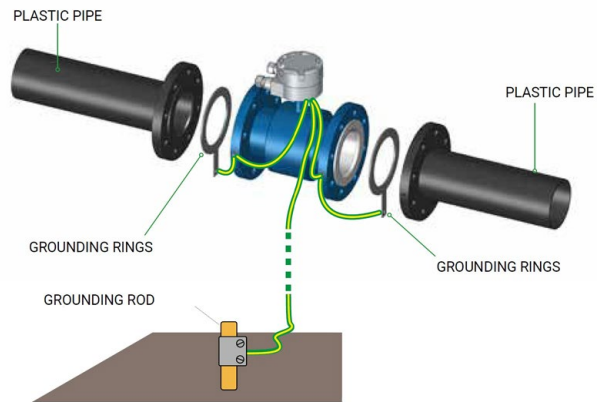


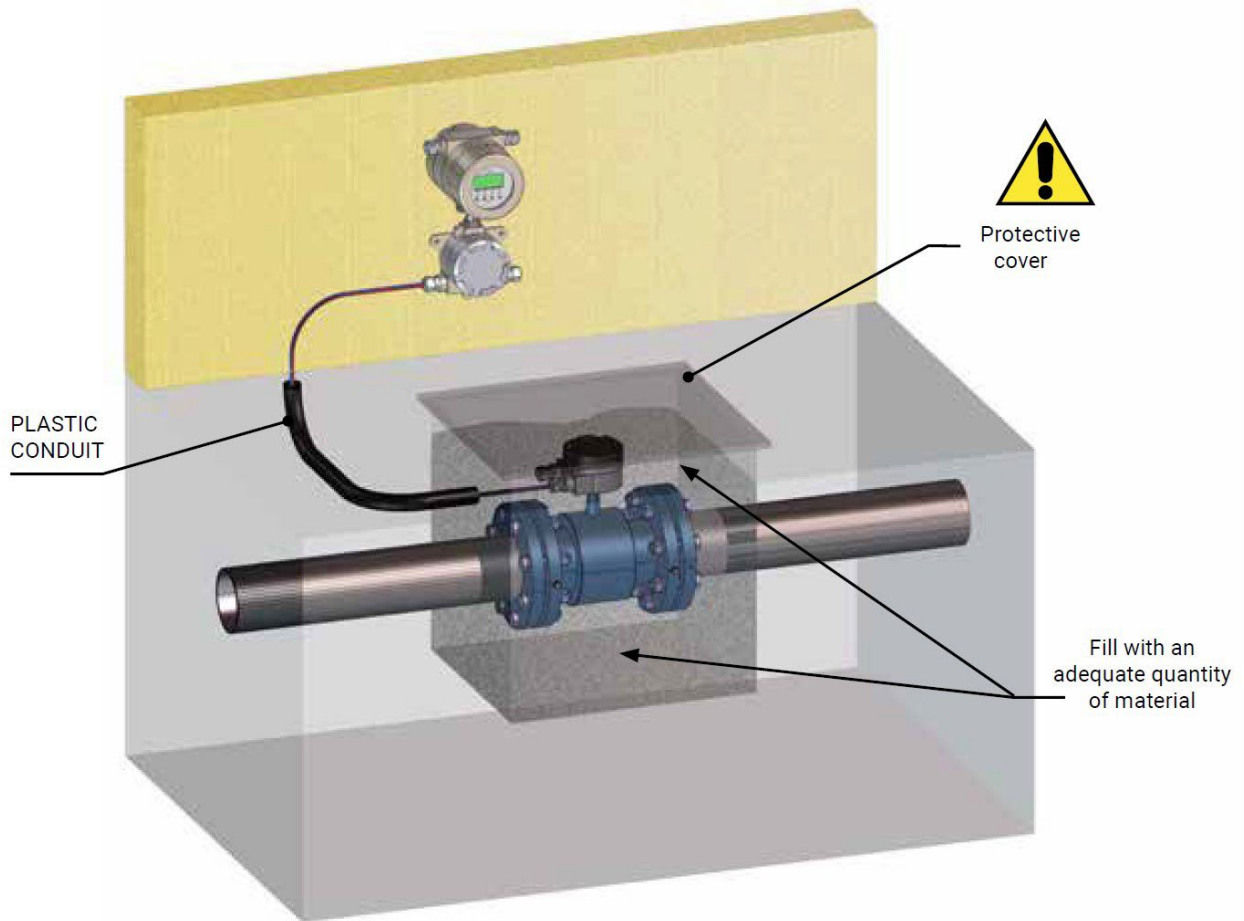
FIG. 3 Grounding rings

**Codes: Sold and coded as pairs**

|                   |  |
|-------------------|--|
| <b>MFMERDN32</b>  | Earthing Rings Pair DN32 304SS Euomag  |
| <b>MFMERDN40</b>  | Earthing Rings Pair DN40 304SS Euomag  |
| <b>MFMERDN50</b>  | Earthing Rings Pair DN50 304SS Euomag  |
| <b>MFMERDN65</b>  | Earthing Rings Pair DN65 304SS Euomag  |
| <b>MFMERDN80</b>  | Earthing Rings Pair DN80 304SS Euomag  |
| <b>MFMERDN100</b> | Earthing Rings Pair DN100 304SS Euomag |
| <b>MFMERDN150</b> | Earthing Rings Pair DN150 304SS Euomag |
| <b>MFMERDN200</b> | Earthing Rings Pair DN200 304SS Euomag |
| <b>MFMERDN250</b> | Earthing Rings Pair DN250 304SS Euomag |
| <b>MFMERDN300</b> | Earthing Rings Pair DN300 304SS Euomag |

## Separating the electronics from flow tube

If the customer would like the electronics mounted separately from the flow tube, we will need to know how long the cable needs to be and add the parts for separation to the order. If the flow meter is a stock size and the separation will be performed at Hynds Smarterwater Auckland.



To the flow meter code, please add the following codes. One per flow meter except cable which is measured in metres.

### Items to add

|                 |  |
|-----------------|--|
| <b>MFMRK406</b> | Remote Kit MC406 Euromag               |
| <b>MFMRPK</b>   | Resin Potting Kit Euromag              |
| <b>MFMCSP</b>   | MFM Std Cable per meter potted Euromag |

**Branches Nationwide** *Support Office & Technical Services 0800 93 7473*

**Disclaimer:** While every effort has been made to ensure that the information in this document is correct and accurate, users of Hynds product or information within this document must make their own assessment of suitability for their particular application. Product dimensions are nominal only, and should be verified if critical to a particular installation. No warranty is either expressed, implied, or statutory made by Hynds unless expressly stated in any sale and purchase agreement entered into between Hynds and the user.

***smarterwater.co.nz***  
***remote monitoring, measurement and control***

**HYNDS**  
SMARTERWATER

The logo for Hynds Smarterwater features the word "HYNDS" in a large, bold, white sans-serif font. Below it, the word "SMARTERWATER" is written in a smaller, white, all-caps sans-serif font. A blue curved line or swoosh is positioned under the "SMARTERWATER" text, starting from the left and curving upwards towards the right.