

Three Way Stainless Steel Ball Valve

Technical Guide W4.30

Three port L and T port, Stainless Steel ball valves



11.22 | W4.30.3 WAY STAINLESS STEEL BALL VALVE

Applications

Flow diversion
Chemical service
Water treatment
Waste water treatment

Product Attributes

Lockable handle
ISO mount
Blow out proof stem
All 316SS or CF8M

Quality

ISO 9001:2008 Quality
Management Standard

We are the supply partner of choice for New Zealand's civil construction industry, specialising in water and infrastructure based solutions.

HYNDSwater

Three port L and T port, Stainless Steel ball valves

Technical Data

- Size Range: DN8 - DN80 (1/4" - 3")
- Pressure Rating: 1000PSI W.O.G
- Pressure Test: API598

Features

- L or T Port
- Threaded BSP, NPT on request
- Quality investment cast body
- Internal entry blow-out proof stem
- Lever handle with locking device
- Mount pad (2 1/2" & 3" only)



FIG. 1

TABLE 1

NO.	DESCRIPTION	MATERIAL
1	Body	CF8M
2	Cap-B	CF8M
3	Ball	CF8M
4	Seat	PTFE
5	Stem	SS316
6	Gasket-B	PTFE
7	Thrust Washer	PTFE
8	Packing	PTFE
9	Gland	SS304
10	Spring Washer	SS304
11	Stem Nut	SS304
12	Locking Device	SS304
13	Handle	SS304
14	Handle Sleeve	Plastic
15	Bolt	SS304
16	Stop Pin	SS304
17	Gasket-A	PTFE
18	Cap-A	CF8M

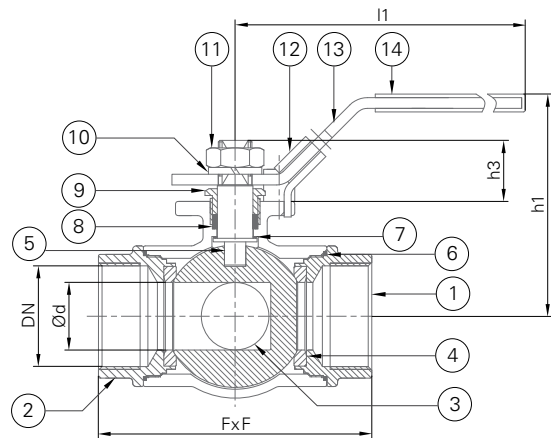
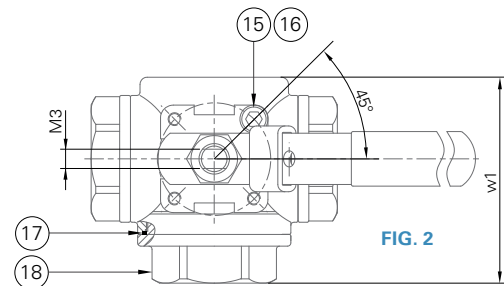


FIG. 3

DN8 - DN32 (1/4" - 1 1/4") DN40 & DN50 (1 1/2" - 2")



STOP PIN TYPE

FIG. 4

OPTIONS	1	2	3	4
L PORT	1 2 3	1 2 3	1 2 3	1 2 3
T PORT	1 2 3	1 2 3	1 2 3	1 2 3

FLOW PATTERN

FIG. 5

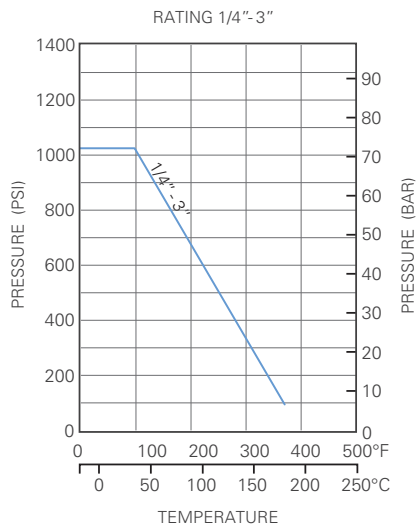


TABLE 2

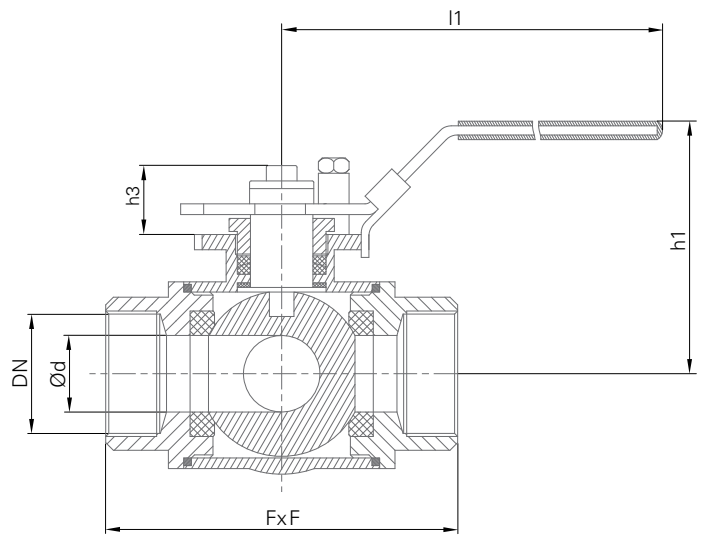
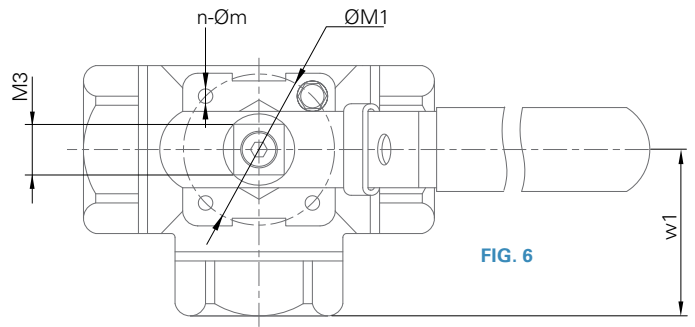


FIG. 7

TABLE 3 V3WAY DN8 - DN50

DN	NPS	Ød	FxF	h1	h3	w1	M3	Torque (N.m)	CV Factor		Weight (Kg)
									L Port	T Port	
8	1/4"	11.6	76	67	18	58.5	8	17	5	6	0.77
10	3/8"	12.5	76	67	18	58.5	8	17	5	6	0.72
15	1/2"	12.5	76	67	18	58.5	8	20	11	12	0.68
20	3/4"	16	86	77	20	72	8	25	14	16	1.13
25	1"	20	99	83	23	81.5	9.5	29	18	20	1.64
32	1 1/4"	25	117	88	23	94.5	9.5	35	43	46	2.22
40	1 1/2"	32	124	116	34	104	12	48	84	88	3.83
50	2"	38	148	124	34	125	12	61	90	98	5.84

TABLE 4

V3WAY DN65 - DN80								ISO 5211 TOP FLANGE						
DN	NPS	Ød	FxF	h1	h3	l1	w1	Flange No.	n-Øm	ØM1	M3	Torque (N.m)	Weight (Kg)	
65	2 1/2"	50	170	115.8	24.5	229.9	85	F7	4-8	70	14	80	7.5	
80	3"	65	195	132	25.5	265	97.5	F10	4-10	102	17	120	12	

Dimensions (mm)

Branches Nationwide *Support Office & Technical Services 0800 93 7473*

Disclaimer: While every effort has been made to ensure that the information in this document is correct and accurate, users of Hynds product or information within this document must make their own assessment of suitability for their particular application. Product dimensions are nominal only, and should be verified if critical to a particular installation. No warranty is either expressed, implied, or statutory made by Hynds unless expressly stated in any sale and purchase agreement entered into between Hynds and the user.